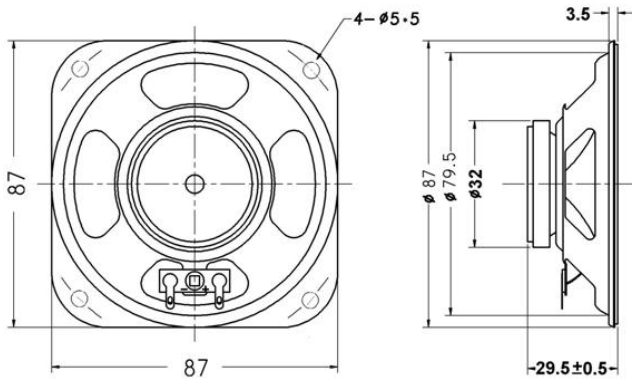
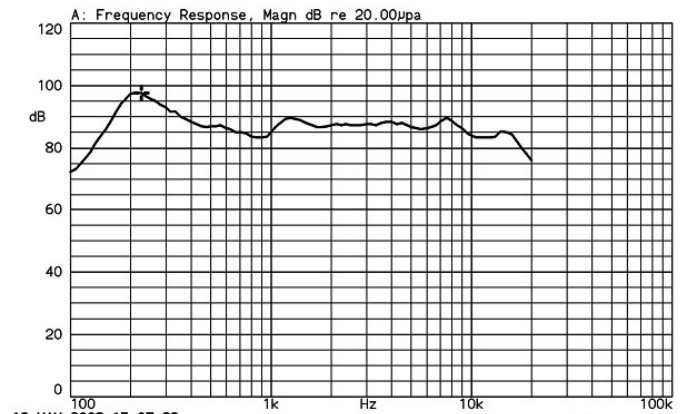


Model Number : LF-K8787D30A  
 Nominal Impedance :  $32\Omega \pm 15\%$   
 Resonant frequency ( F0 ) :  $230 \text{ Hz} \pm 20\%$   
 Effective Freq. Range :  $F_0 \sim 3.3\text{KHz}$   
 Sound Pressure Level ( dB ) :  $88 \pm 3\text{dB} / 50\text{cm}$   
 Input Power ( Nom. / Max. ) :  $1\text{W} / 2\text{W}$   
 Distortion :  $5\%\text{max. at } 1\text{KHz}$   
 Operating Temp range :  $-20\text{ }^\circ\text{C} \sim +60\text{ }^\circ\text{C}$



LF-K8787D30A 5.66Vrms by IEC268-5 1/2 std baffle 50cm  
 X:224.00Hz Y:97.53dB ZA:1.0000 SSR Fund.



12-MAY-2008 15:07:33

Mode: SSR

