



Model Number : LF-K68B29A

Nominal Impedance : $8 \Omega \pm 15\%$

Resonant frequency (F0) : 230Hz $\pm 20\%$

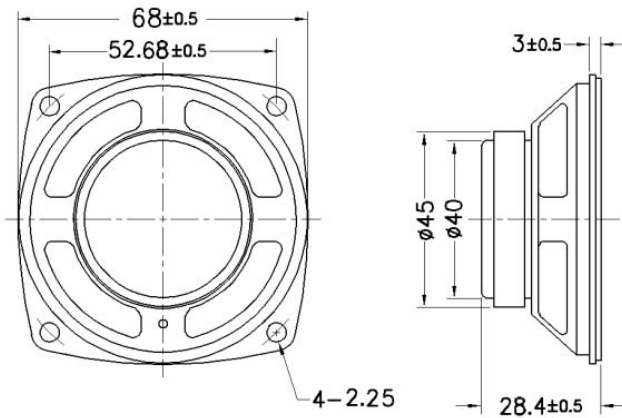
Effective Freq. Range : Fo ~ 15KHz

Sound Pressure Level (dB) : $88 \pm 3\text{dB} / 50\text{cm}$

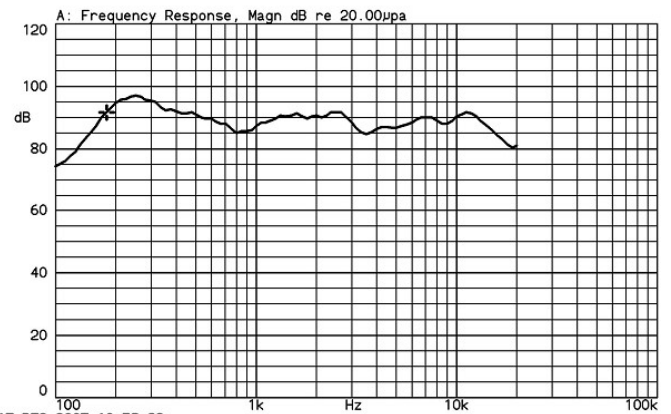
Input Power (Nom. / Max.) : 10W / 15W

Distortion : 5%max. at 1KHz

Operating Temp range : $-20 \text{ }^\circ\text{C} \sim +60 \text{ }^\circ\text{C}$



LF-K68B29A 2.83Vrms by IEC268-5 1/2 std baffle 50cm
X:180.00Hz *Y:91.68dB ZA:Live Curve SSR Fund.



17-DEC-2007 10:58:29

Mode: SSR

