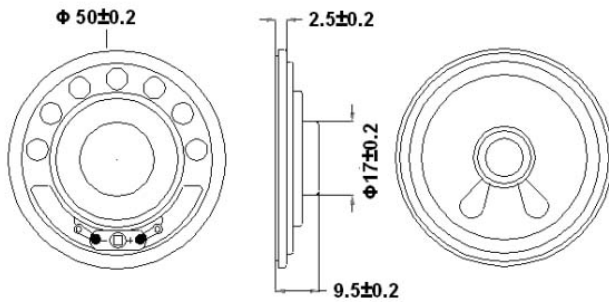




Model Number : LF-K50A95A  
 Nominal Impedance :  $4 \Omega \pm 15\%$   
 Resonant frequency ( F0 ) :  $430\text{Hz} \pm 20\%$   
 Effective Freq. Range :  $F_0 \sim 5.2\text{KHz}$   
 Sound Pressure Level ( dB ) :  $88 \pm 3\text{dB} / 50\text{cm}$   
 Input Power ( Nom. / Max. ) :  $2.0\text{W} / 3.0\text{W}$   
 Distortion :  $5\%\text{max. at } 1\text{KHz}$   
 Operating Temp range :  $-25 \text{ }^\circ\text{C} \sim +85 \text{ }^\circ\text{C}$



LF-K50A95A 2Vrms by IEC268-5 1/2 std. baffle 50cm  
 X:450.00Hz \*Y:93.41dB ZA:Live Curve SSR Fund.

