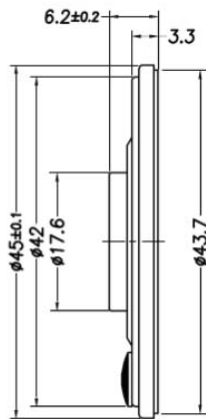
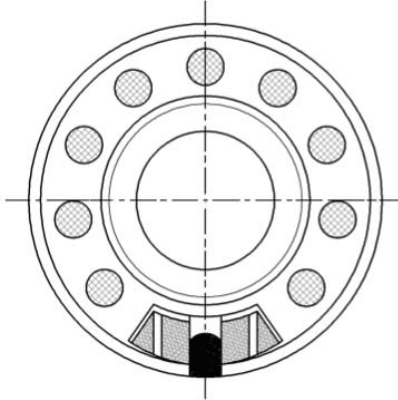
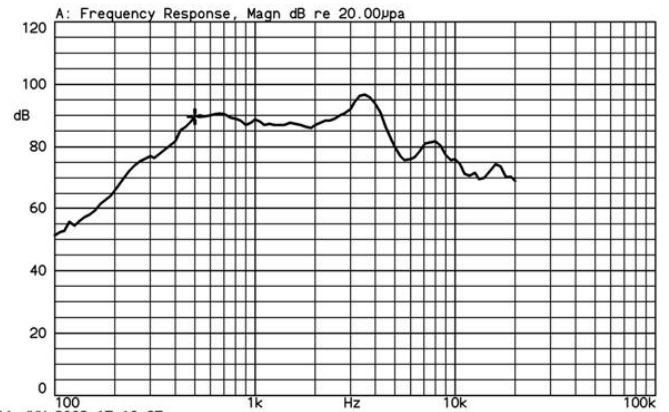


Model Number : LF-K45B62A
 Nominal Impedance : $8 \Omega \pm 15\%$
 Resonant frequency (F0) : 520Hz $\pm 20\%$
 Effective Freq. Range : Fo ~ 4KHz
 Sound Pressure Level (dB) : $85 \pm 3\text{dB} / 10\text{cm}$
 Input Power (Nom. / Max.) : 0.5W / 1.2W
 Distortion : 5%max. at 1KHz
 Operating Temp range : $-20 \text{ }^\circ\text{C} \sim +60 \text{ }^\circ\text{C}$



K45B62A 2Wrms IEC268-5 std baffle 50cm test
 X:500.00Hz *Y:89.51dB ZA:Live Curve SSR Fund.



11-JUN-2003 17:10:27

Mode: SSR

