



Model Number : LF-K40B65A

Nominal Impedance : $8 \Omega \pm 15\%$

Resonant frequency (F0) : 450Hz $\pm 20\%$

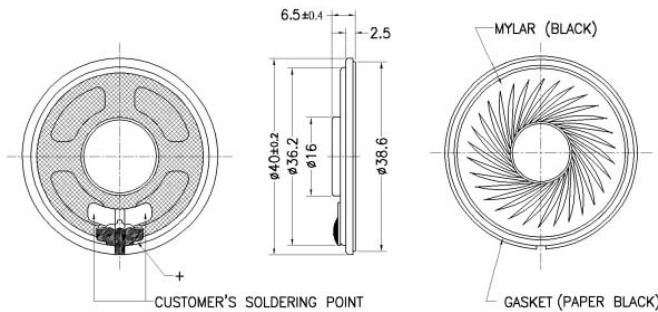
Effective Freq. Range : Fo ~ 20KHz

Sound Pressure Level (dB) : $83 \pm 3\text{dB} / 50\text{cm}$

Input Power (Nom. / Max.) : 0.5W / 1.0W

Distortion : 5%max. at 1KHz

Operating Temp range : $-20 \text{ }^\circ\text{C} \sim +60 \text{ }^\circ\text{C}$



LF-K40B65A 2Vrms by IEC268-5 1/2 std baffle 50cm
X:450.00Hz *Y:90.69dB ZA:Live Curve SSR Fund.

