



Model Number : LF-K40B58A

Nominal Impedance : $8 \Omega \pm 15\%$

Resonant frequency (F0) : $430 \text{ Hz} \pm 20\%$

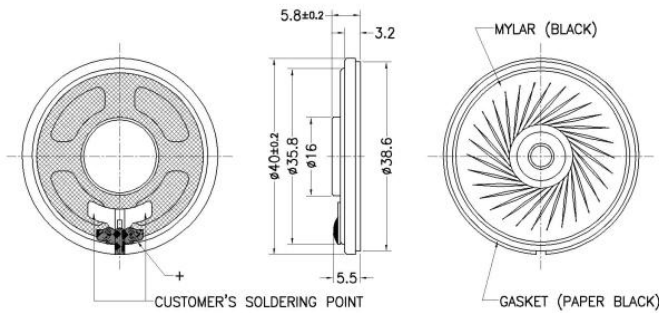
Effective Freq. Range : $F_0 \sim 20\text{KHz}$

Sound Pressure Level (dB) : $87 \pm 3\text{dB} / 10\text{cm}$

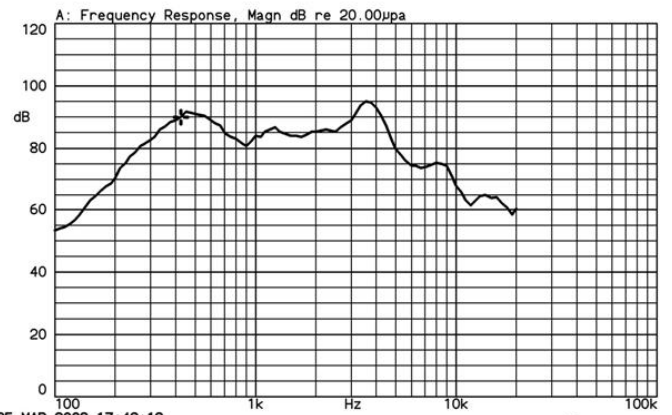
Input Power (Nom. / Max.) : $0.25\text{W} / 0.4\text{W}$

Distortion : $5\%\text{max. at } 1\text{KHz}$

Operating Temp range : $-20 \text{ }^\circ\text{C} \sim +60 \text{ }^\circ\text{C}$



LF-K40B58A 1.41Vrms by IEC268-5 1/2 std baffle 50cm
X: 425.00Hz *Y: 90.05dB ZA: 1.0000 SSR Fund.



25-MAR-2009 17:42:12

Mode: SSR

