

Model Number : LF-K4070D30A

Nominal Impedance : $32\Omega \pm 15\%$

Resonant frequency (F0) : $300 \text{ Hz} \pm 20\%$

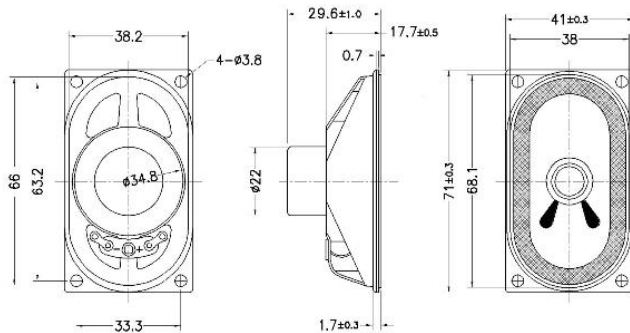
Effective Freq. Range : $F_0 \sim 20 \text{ KHz}$

Sound Pressure Level (dB) : $85 \pm 3\text{dB} / 50\text{cm}$

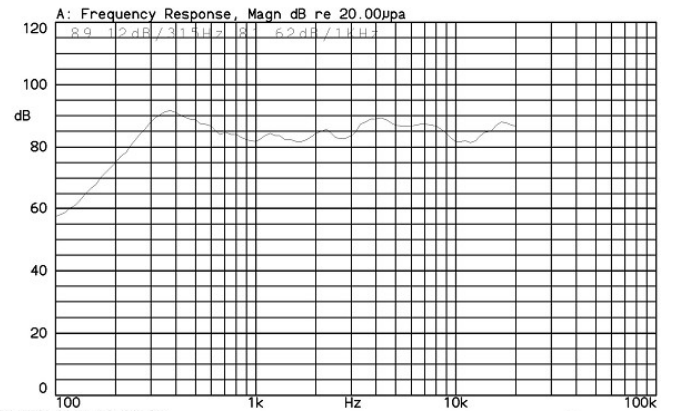
Input Power (Nom. / Max.) : $3.0\text{W} / 4.0\text{W}$

Distortion : $5\% \text{max. at } 1\text{KHz}$

Operating Temp range : $-20 \text{ }^\circ\text{C} \sim +60 \text{ }^\circ\text{C}$



LF-K4070D30A 5.65Vrms by IEC268-5 1/2 std baffle 50cm
X: Y: ZA:Live Curve No Curve



26-FEB-2008 18:20:27

Mode: SSR

