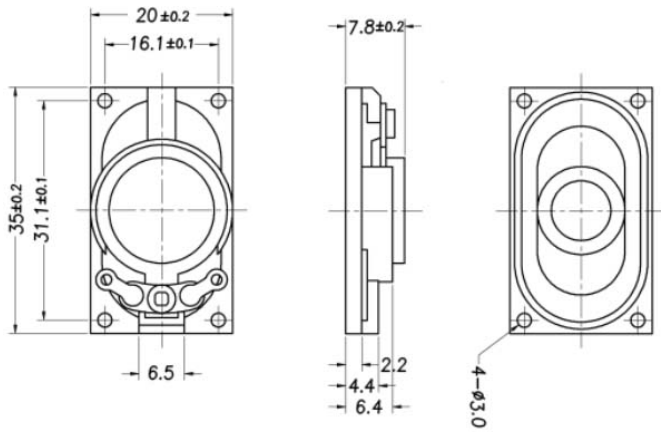
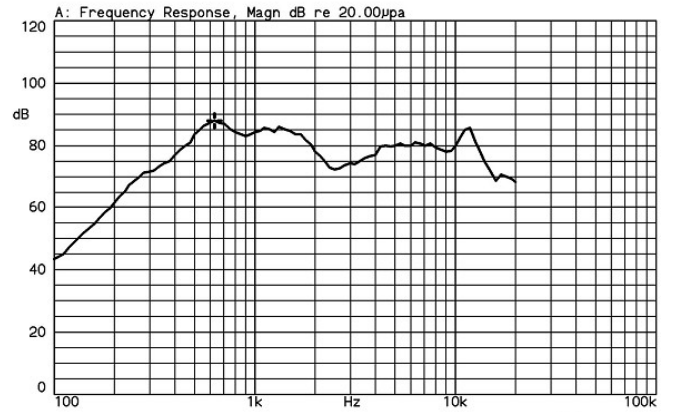




Model Number : LF-K3520B78A
 Nominal Impedance : $8 \Omega \pm 15\%$
 Resonant frequency (F0) : $620\text{Hz} \pm 20\%$
 Effective Freq. Range : $F_0 \sim 20\text{KHz}$
 Sound Pressure Level (dB) : $85 \pm 3\text{dB} / 50\text{cm}$
 Input Power (Nom. / Max.) : $2.0\text{W} / 3.0\text{W}$
 Distortion : $5\%\text{max. at } 1.2\text{KHz}$
 Operating Temp range : $-20 \text{ }^\circ\text{C} \sim +60 \text{ }^\circ\text{C}$



LF-K3520B78A 2.83Vrms by IEC268-5 1/2 std baffle 50cm
 X:630.00Hz *Y:87.79dB ZA:Live Curve SSR Fund.



Mode: SSR

