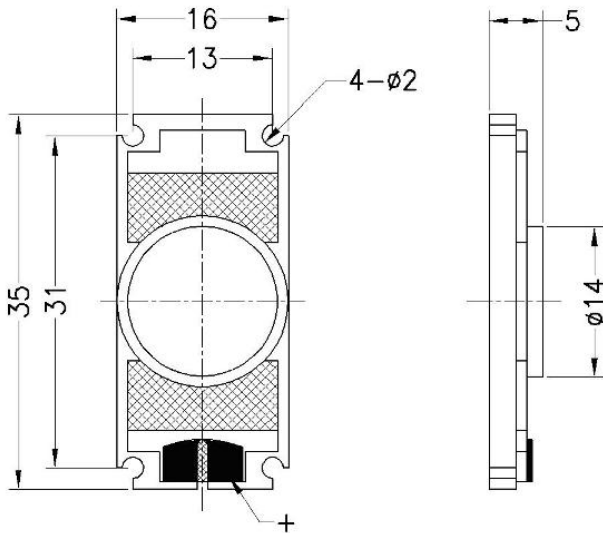


Model Number : LF-K3516A50A
 Nominal Impedance : $4 \Omega \pm 15\%$
 Resonant frequency (F0) : 650 Hz ± 150 Hz
 Effective Freq. Range : 400 ~ 20 KHz
 Sound Pressure Level (dB) : 91 ± 3 dB /10cm
 Input Power (Nom. / Max.) : 1.0W /2.0W
 Distortion : 5%max. at 1KHz
 Operating Temp range : -25 °C ~+60 °C



LF-K3516A50A 2Vrms by IEC268-5 1/2 std baffle 10cm
 X:630.00Hz *Y:92.70dB ZA:Live Curve SSR Fund.

