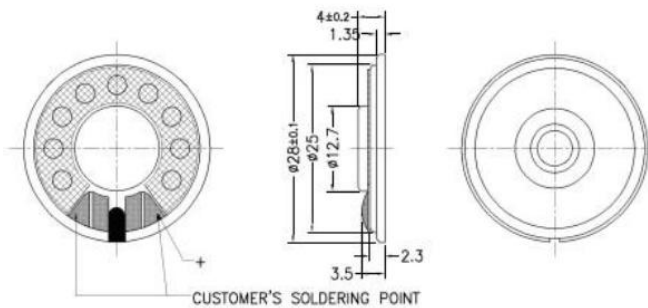




Model Number : LF-K28B40B
 Nominal Impedance : $8 \Omega \pm 15\%$
 Resonant frequency (F0) : 940Hz $\pm 20\%$
 Effective Freq. Range : Fo ~ 20KHz
 Sound Pressure Level (dB) : $95 \pm 3\text{dB} / 10\text{cm}$
 Input Power (Nom. / Max.) : 0.5W / 1.0W
 Distortion : 5%max. at 2KHz
 Operating Temp range : -25 °C ~+60 °C



LF-K28B40B 2Vrms by IEC268-5 1/2 std baffle 10cm
 X:900.00Hz *Y:103.38dB ZA:Live Curve SSR Fund.

