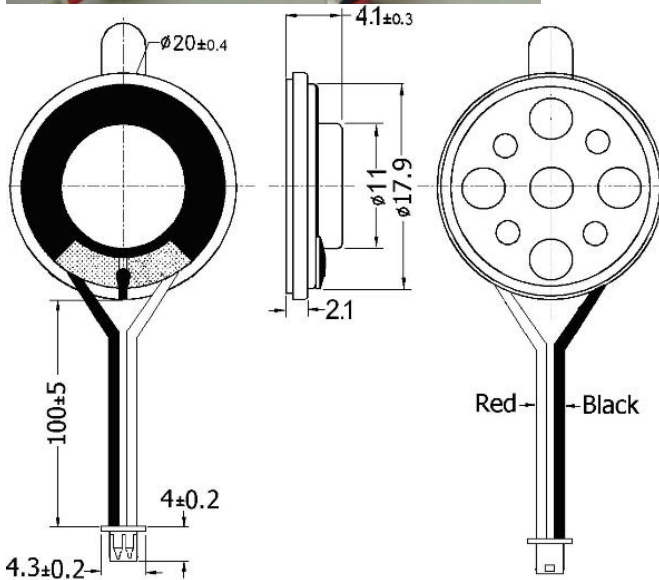




Model Number : LF-K20B40G-A
 Nominal Impedance : $8 \Omega \pm 15\%$
 Resonant frequency (F0) : 850Hz $\pm 20\%$
 Effective Freq. Range : Fo ~ 20KHz
 Sound Pressure Level (dB) : $90 \pm 3\text{dB} / 10\text{cm}$
 Input Power (Nom. / Max.) : 1.0W / 1.5W
 Distortion : 5%max. at 2KHz
 Operating Temp range : $-20 \text{ }^\circ\text{C} \sim +60 \text{ }^\circ\text{C}$



LF-K20B40G-A 2.83Vrms by IEC268-5 1/2 std baffle 10cm
 X:850.00Hz *Y:91.13dB ZA:Live Curve SSR Fund.

