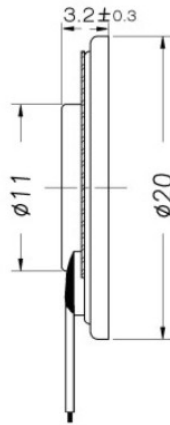
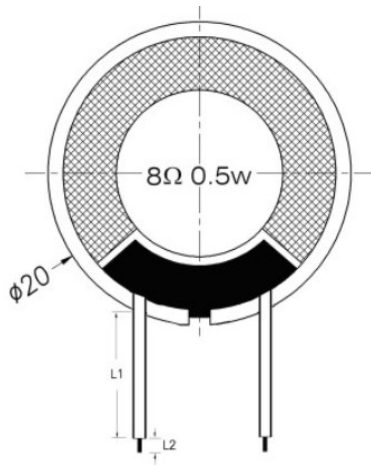




Model Number : LF-K20B31B-WA
 Nominal Impedance : $8 \Omega \pm 15\%$
 Resonant frequency (F0) : $700\text{Hz} \pm 20\%$
 Effective Freq. Range : $F_0 \sim 5.5\text{KHz}$
 Sound Pressure Level (dB) : $93 \pm 3\text{dB} / 10\text{cm}$
 Input Power (Nom. / Max.) : $0.5\text{W} / 0.8\text{W}$
 Distortion : 10%max. at 1KHz
 Operating Temp range : $-20 \text{ }^\circ\text{C} \sim +60 \text{ }^\circ\text{C}$



K20B31B-WA 2Vrms by IEC268-5 1/2 std. baffle 10cm
 X:710.00Hz *Y:93.23dB ZA:Live Curve SSR Fund.

