



Model Number : LF-K2035B78A

Nominal Impedance : $8 \Omega \pm 15\%$

Resonant frequency (F0) : 580Hz $\pm 20\%$

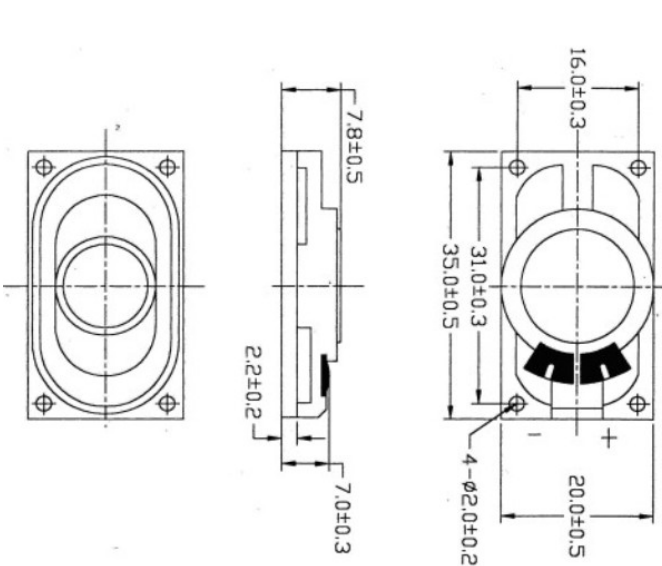
Effective Freq. Range : Fo ~ 20KHz

Sound Pressure Level (dB) : $85 \pm 3\text{dB} / 50\text{cm}$

Input Power (Nom. / Max.) : 1.0W / 2.0W

Distortion : 5%max. at 1KHz

Operating Temp range : $-25 \text{ }^\circ\text{C} \sim +60 \text{ }^\circ\text{C}$



K2035B78A 2.83Vrms by IEC268-5 1/2 std.baffle 50cm
X:560.00Hz *Y:88.22dB ZA:Live Curve SSR Fund.

