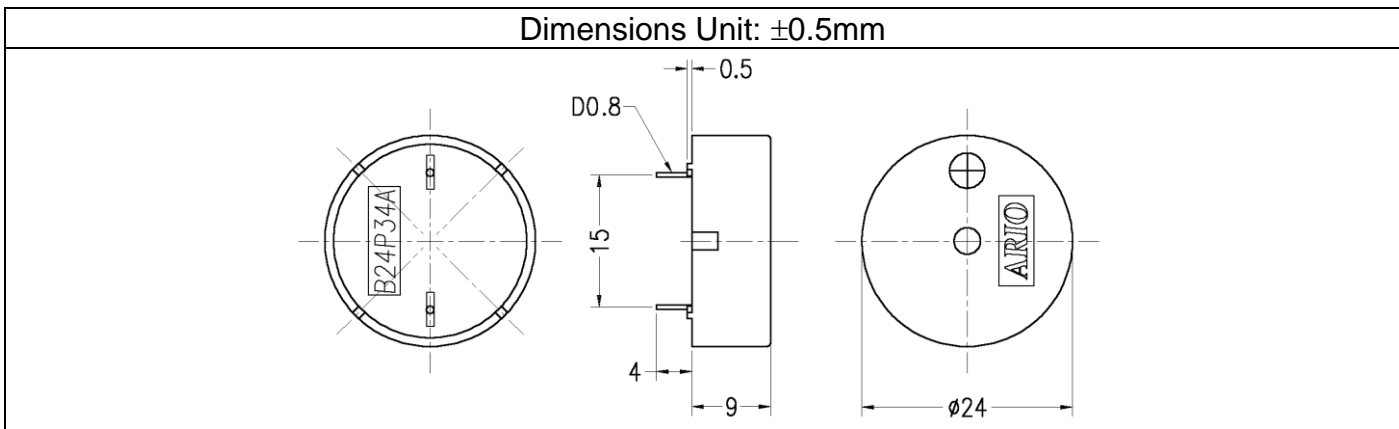


 <p>Ariose Electronics Co., Ltd.</p>	Part No.	LF-PB24P34A
	Sound Pressure Level (dB min. /9VDC/10cm)	90
	Current Consumption (mA / 9VDC/10cm)	7.0 max.
	Oscillating Frequency (±0.5KHz)	3.4 Continuous tone
	Operating Voltage (VDC)	3~30
	Operating Temp. (°C)	-20~+85
	Weight (gms)	3



Sound pressure level and current consumption vs. DC voltage:

