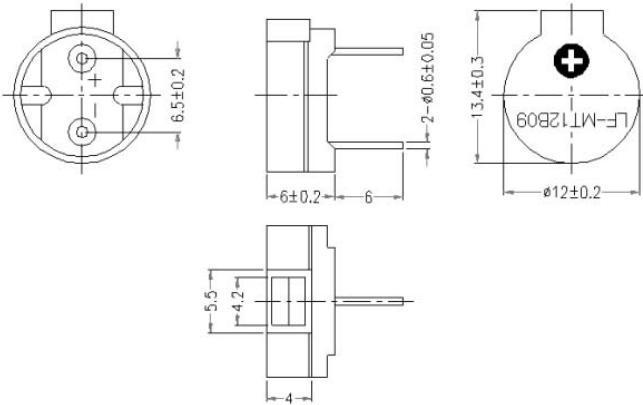




Model Number : LF-MT12B09
 Rated Voltage (V_{o-p}) : 12
 Operating Voltage (V_{o-p}) : 6~15
 Current Consumption (mA) : 40max
 Coil Resistance (Ω) : 115 ± 10
 Sound Pressure Level at 10cm : 88dB min.
 Resonant Frequency (Hz) : 2730
 Operating Temperature ($^{\circ}C$) : - 20~ + 70
 Weight : 2.0gms.



LF-MT12B09 12Vo-p Square wave 10cm test
 X:2.6500kHz *Y:101.53dB ZA:Live Curve SSR T.Ha.

