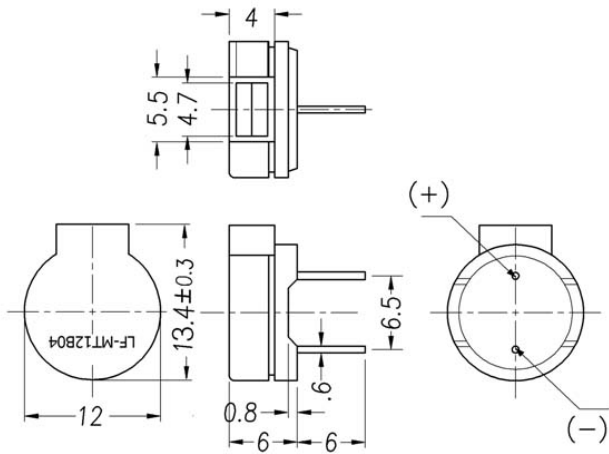




Model Number : LF-MT12B04
 Rated Voltage (V_{o-p}) : 1.5
 Operating Voltage (V_{o-p}) : 1~2
 Current Consumption (mA) : 80max
 Coil Resistance (Ω) : 6.5 ± 1
 Sound Pressure Level at 10cm : 85dB min.
 Resonant Frequency (Hz) : 2730
 Operating Temperature ($^{\circ}C$) : - 20~ + 70
 Weight : 2.0gms.



MT12B04 1.5Vo-p Square Wave 10cm test
 X:2.8000kHz *Y:92.86dB ZA:Live Curve SSR T.Ha.

