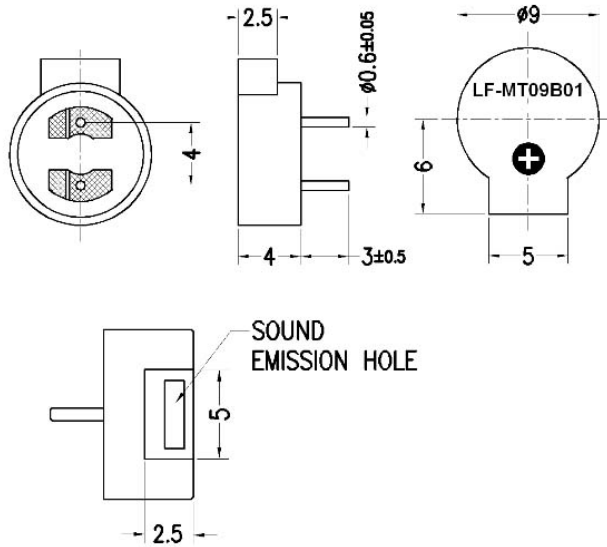


Model Number : LF-MT09B01
 Rated Voltage (V_{o-p}) : 1.5
 Operating Voltage (V_{o-p}) : 1~3
 Current Consumption (mA) : 80 max
 Coil Resistance (Ω) : 5.5 ± 1
 Sound Pressure Level at 10cm : 80dB min.
 Resonant Frequency (Hz) : 2730
 Operating Temperature ($^{\circ}\text{C}$) : -20 ~ +70
 Weight : 1.0gms.



LF-MT09B01 1.5Vo-p square wave 10cm
 X:2.6500kHz *Y:91.49dB ZA:Live Curve SSR T.Ha.

