



Model Number : LF-PE33P13A

Sound Pressure Level (dB min.) 10cm : 85

Current Consumption (mA) : 3.0 max.

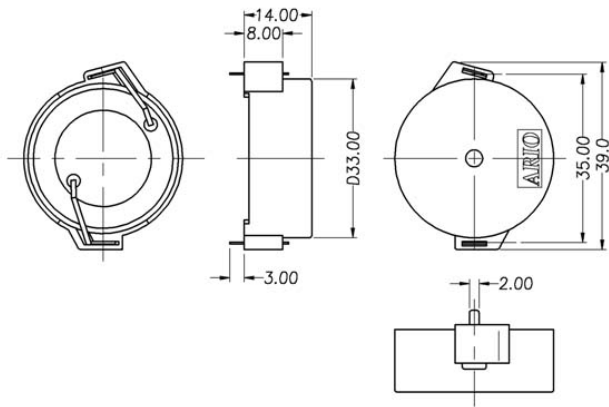
Resoance Frequency : 1300Hz. 9Vp-p square wave

Capacitance 120Hz,25 °C : 47000pF± 30%

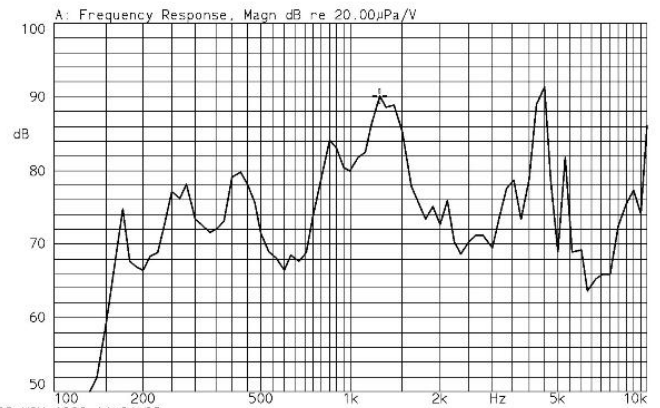
Input Voltage (Vp-p) : 30 max.

Operating Temp. (°C) : -20~+70

Weight (gms) : 2.5



PE33P13A 9.0Vp-p Square Wave 10cm test
X:1.2500kHz *Y:90.08dB ZA:Live Curve SSR T.Ha



28-NOV-1999 14:31:38

Made: SSR

