



Model Number : LF-PE23P20A

Sound Pressure Level (dB min.) 10cm : 83

Current Consumption (mA) : 3.0 max.

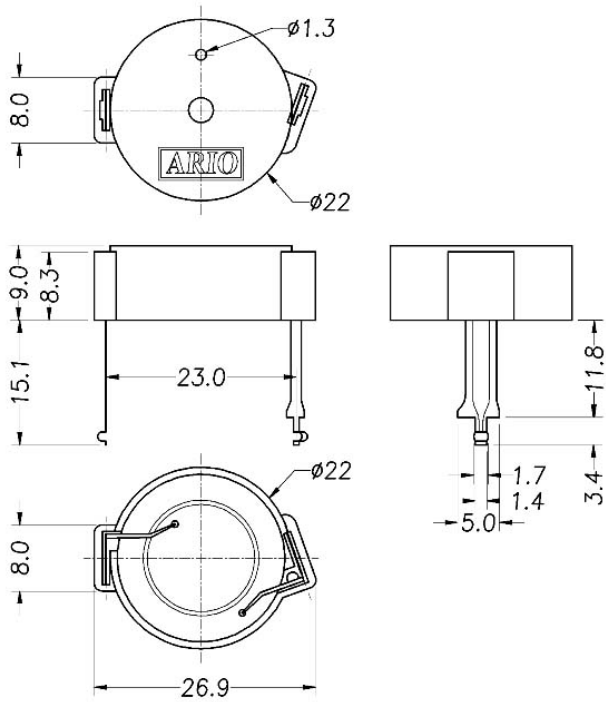
Resoance Frenquency : 2000Hz. 9Vp-p square wave

Capacitance 120Hz, 25 °C : 25000pF± 30%

Input Voltage (Vp-p) : 30 max.

Operating Temp. (°C) : -20~+105

Weight (gms) : 2.5



PE23P20A 9Vp-p Square Wave 10cm test
X:2.0000kHz Y:90.66dB ZA:Live Curve SSR T.Ha.

