

Model Number : LF-PE10W32A

Sound Pressure Level (dB min.) 10cm : 75

Current Consumption (mA) : 3.0 max.

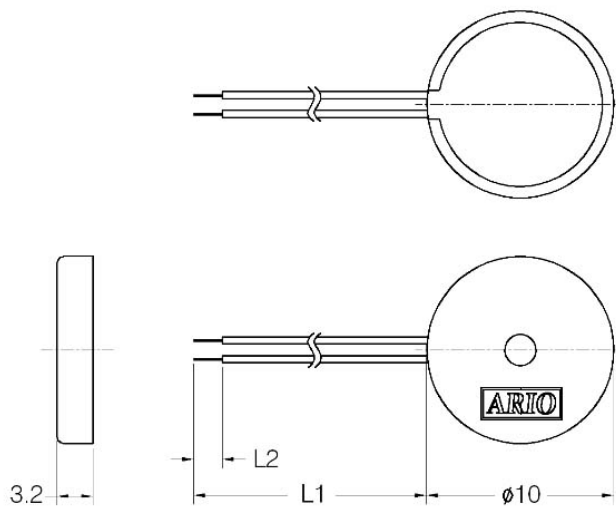
Resoance Frenquency : 3200Hz. 9Vp-p square wave

Capacitance 120Hz, 25 °C : 11000pF±30%

Input Voltage (Vp-p) : 30 max.

Operating Temp. (°C) : -20~+70

Weight (gms) : 2.5



PE10W32A 9Vp-p square wave 10cm test
X:3.1500kHz Y:83.56dB ZA:Live Curve SSR T.Ha.

