

Model Number : LF-PE50W10A-B

Sound Pressure Level ( dB min. ) 10cm : 75

Current Consumption ( mA ) : 3.0 max.

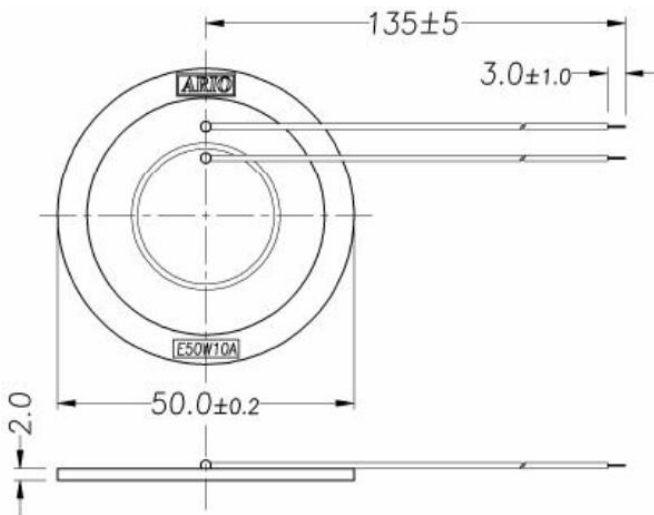
Resoance Frequency : 750Hz. 9Vp-p square wave

Capacitance 120Hz,25 °C : 77000pF±30%

Input Voltage ( Vp-p ) : 40 max.

Operating Temp. ( °C ) : -20~+70

Weight ( gms ) : 3.6



LF-PE50W10A-B 9Vp-p square wave 10cm test  
X:750.00Hz \*Y:84.16dB ZA:Live Curve SSR T.Ha.

