



Model Number : LF-PE44P09A

Sound Pressure Level (dB min.) 10cm : 85

Current Consumption (mA) : 3.0 max.

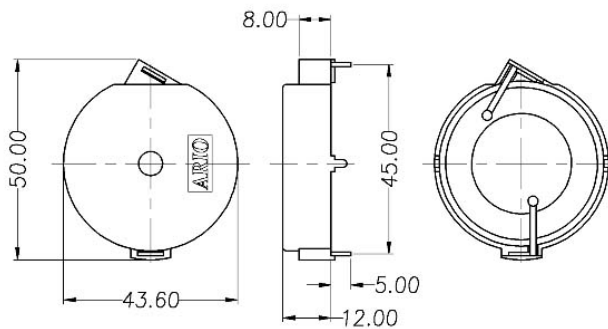
Resoance Frequency : 1200Hz. 9Vp-p square wave

Capacitance 120Hz, 25 °C : 77000pF±30%

Input Voltage (Vp-p) : 40 max.

Operating Temp. (°C) : -20~+70

Weight (gms) : 8.5



PE44P09A 9.0Vp-p Square Wave 10cm test
X:1.2500kHz Y:97.55dB ZA:Live Curve SSR T.Ha

