



Model Number : LF-PE33P14A

Sound Pressure Level (dB min.) 10cm : 85

Current Consumption (mA) : 3.0 max.

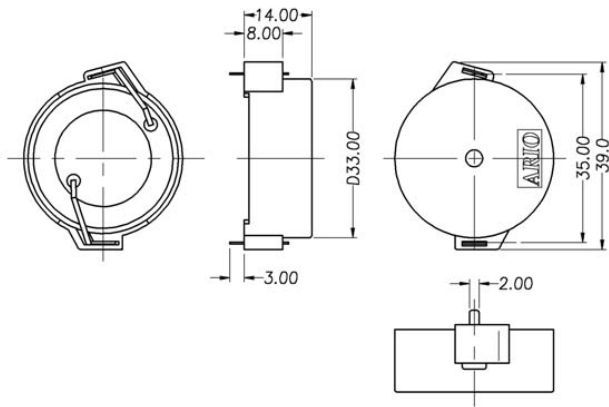
Resoance Frenquency : 1400Hz. 9Vp-p square wave

Capacitance 120Hz,25 °C : 50000pF±30%

Input Voltage (Vp-p) : 30 max.

Operating Temp. (°C) : -20~+70

Weight (gms) : 2.5



PE33P14A 9.0Vp-p Square Wave 10cm test
X:1.400kHz *Y:91.77dB ZA:Live Curve SSR T.Ha.

