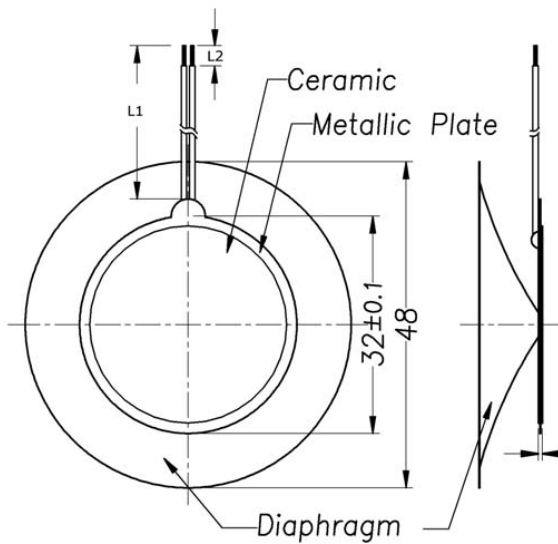


Model Number : LF-PK32W28A
 Frequency Range (Hz) : 500~10K
 Capacitance (at 120 Hz 25°C) : 130nF \pm 0.00%
 Sound Pressure Level
 (dB min.) 10cm : 105dB min. 2.80KHz
 Input Voltage (Vp-p) (max) : 30
 Operating Temp. (°C) : -20 ~ +80
 Weight (gms) : 0.9



PK32W28A 9Vp-p square wave 10cm test
 X:2.8000kHz *Y:114.56dB ZA:1.0000 SSR T.Ha.

