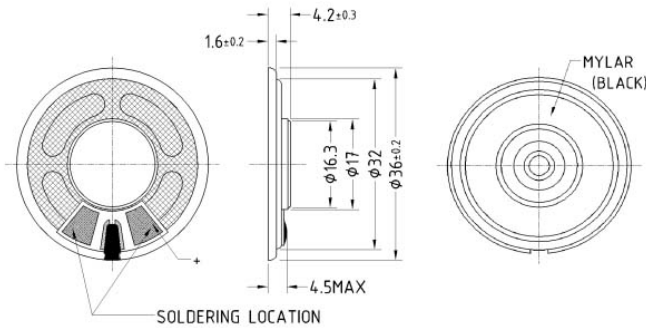
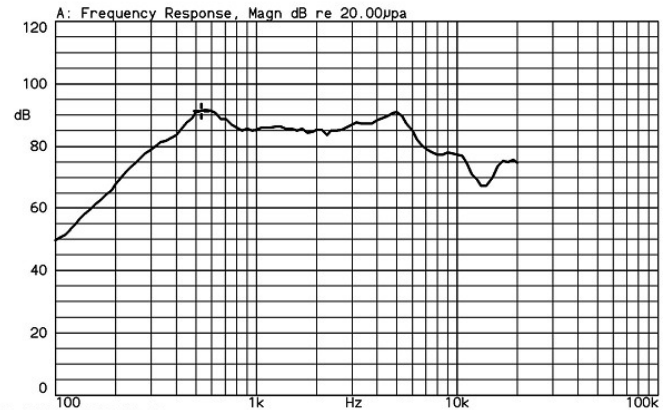




Model Number : LF-K36C41B
 Nominal Impedance : $16\Omega \pm 15\%$
 Resonant frequency (F0) : $530\text{Hz} \pm 20\%$
 Effective Freq. Range : $F_0 \sim 20\text{KHz}$
 Sound Pressure Level (dB) : $86 \pm 3\text{dB} / 50\text{cm}$
 Input Power (Nom. / Max.) : $0.5\text{W} / 1.0\text{W}$
 Distortion : $5\%\text{max. at } 1\text{KHz}$
 Operating Temp range : $-20\text{ }^\circ\text{C} \sim +60\text{ }^\circ\text{C}$



LF-K36C41B 2.83Vrms by IEC268-5 1/2 std baffle 50cm
 X:530.00Hz *Y:91.13dB ZA:Live Curve SSR Fund.



15-JAN-2008 16:49:08

Mode: SSR

