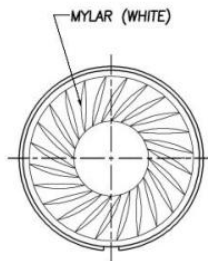
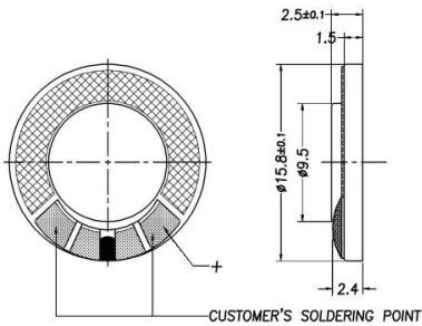




Model Number : LF-K16B25A
 Nominal Impedance : $8 \Omega \pm 15\%$
 Resonant frequency (F0) : $1180\text{Hz} \pm 20\%$
 Effective Freq. Range : 900 ~ 20KHz
 Sound Pressure Level (dB) : $82 \pm 3\text{dB} / 10\text{cm}$
 Input Power (Nom. / Max.) : 0.3W / 0.5W
 Distortion : 10%max. at 1KHz
 Operating Temp range : $-25 \text{ }^\circ\text{C} \sim +60 \text{ }^\circ\text{C}$



LF-K16B25A 1.55Vrms by IEC268-5 1/2 std baffle 10cm
 X:1.1800kHz *Y:88.47dB ZA:Live Curve SSR Fund.

