

Model Number : LF-MT12B01

Rated Voltage (V_{o-p}) : 1.5

Operating Voltage (V_{o-p}) : 1~2

Current Consumption (mA) : 30max

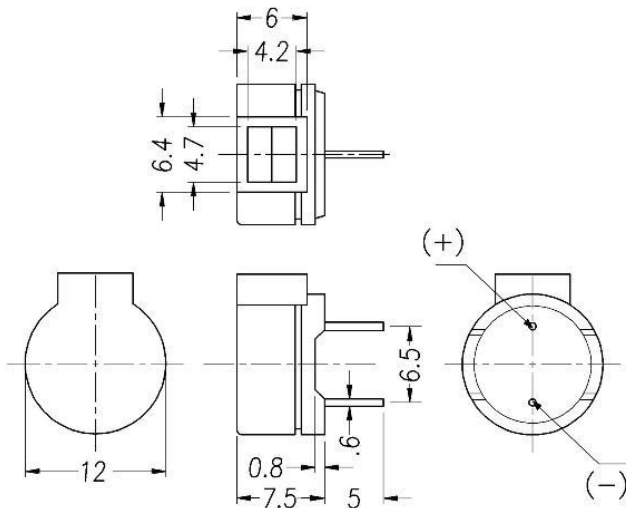
Coil Resistance (Ω) : 15 ± 5

Sound Pressure Level at 10cm : 80dB min.

Resonant Frequency (Hz) : 2048

Operating Temperature ($^{\circ}C$) : - 30~ + 70

Weight : 2.0gms.



MT12B01 1.5Vo-p Square Wave 10cm test
X:2.0000kHz *Y:86.48dB ZA:Live Curve SSR T.Ha.

