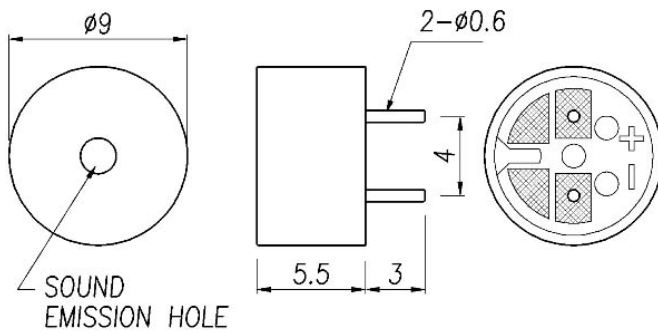
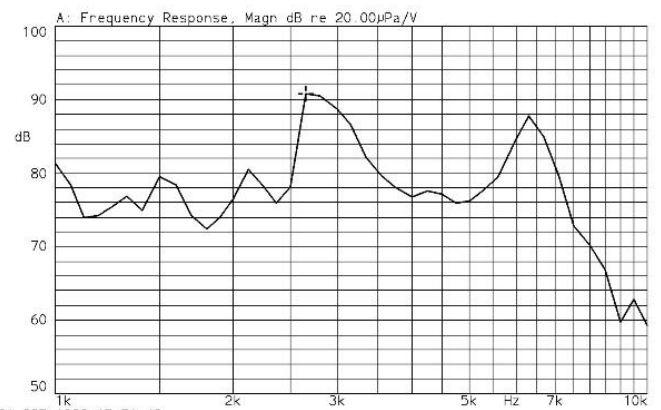


Model Number : LF-MT09C02
 Rated Voltage (V_{o-p}) : 3
 Operating Voltage (V_{o-p}) : 2~4
 Current Consumption (mA) : 70 max
 Coil Resistance (Ω) : 25 ± 2
 Sound Pressure Level at 10cm : 80dB min.
 Resonant Frequency (Hz) : 2730
 Operating Temperature ($^{\circ}\text{C}$) : -20 ~ +60
 Weight : 1.0gms.



MT09C02 3Vo-p Square Wave 10cm test
 X:2.6500kHz *Y:90.75dB ZA:Live Curve SSR T.Ha.



21-OCT-1999 15:51:43

Mode: SSR

